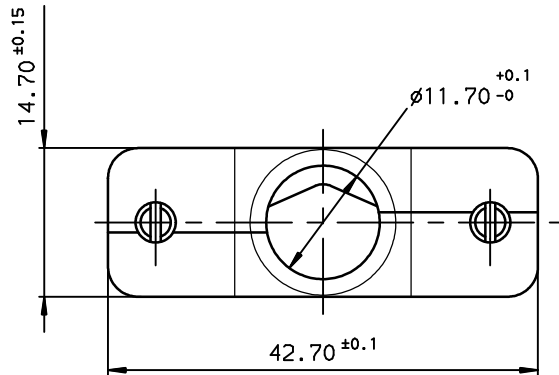
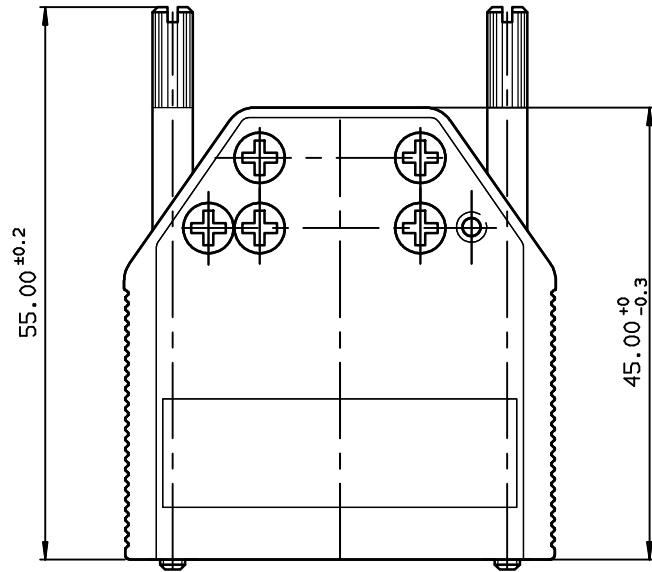




Copyright FCI.

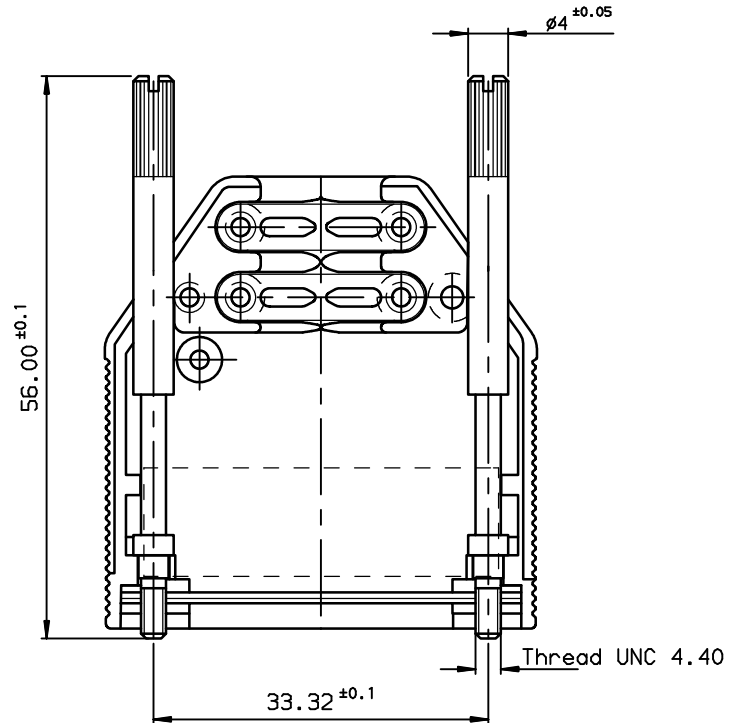


NOTE: RoHS INFORMATIONS

- The "LF" product meets European union Directives and other country regulations as described in GS-22-008.
- The product is not intended to be exposed to a manufacturing solder process.
- Packaging spec: see GS-14-920.

REV F - 2006-04-17

INSIDE VIEW



Core range

PART NUMBER 8655MH1511LF **PACKAGING:** per 1 piece

FOR STANDARD AND APPLICATION SPECIFIC PART NUMBER SEE SHEET 2.

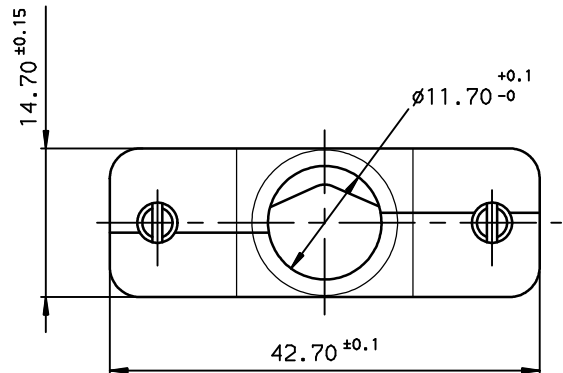
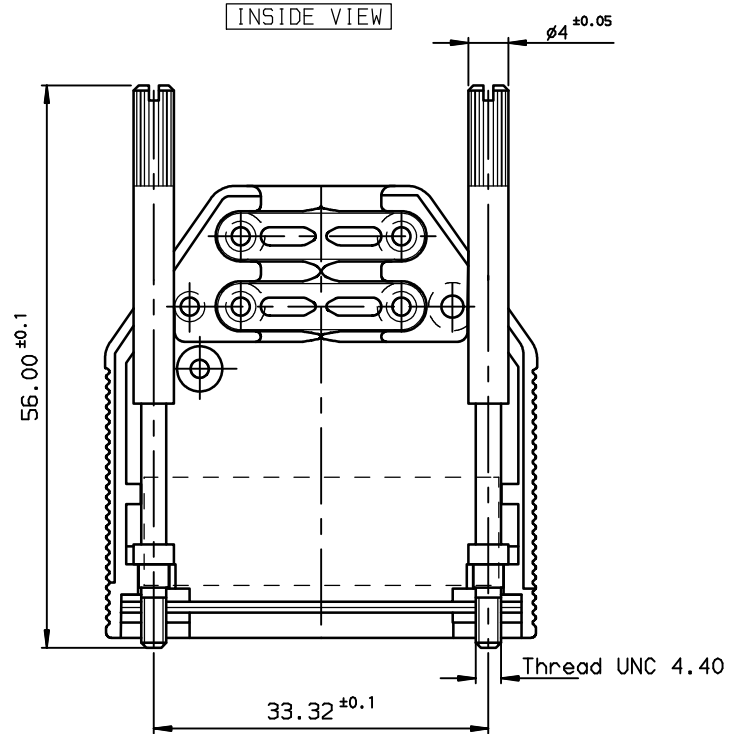
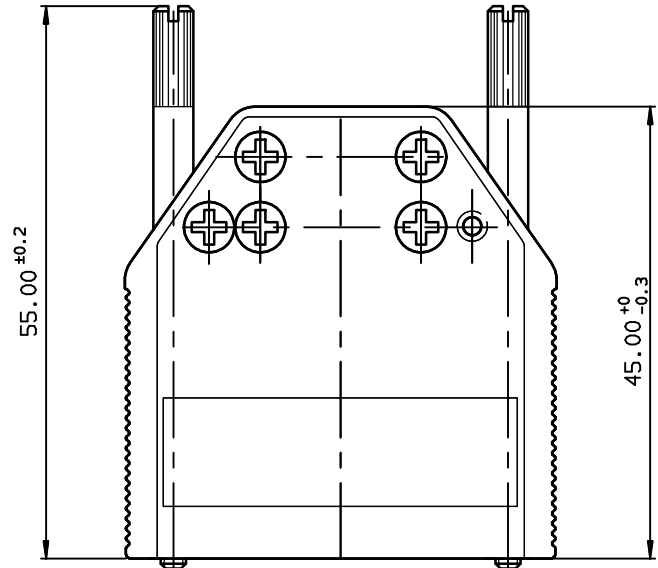
European Views

www.fciconnect.com		surface ISO 1302	tolerance std ISO 406 ISO 1101	projection mm
		TOLERANCES UNLESS OTHERWISE SPECIFIED		
Dr	JARRY	2005/10/14	0.X	±0.1
Eng	PESSON	2005/10/14	0.XX	±0.1
Chr	LEGARE	2005/10/14	0.XXX	±0.1
Appr	LEGARE	2005/10/14	Product family D-SUB Spec ref -	
		SHIELDED HOODS - TWO PARTS HOODS (Shell size 15)		size A3 Scale 2 ECN L506-0095
catalog no		-		C01-8655-1597-1 Rev. B
		CUSTOMER		sheet 1 of 1

rev	ecn no	dr	date
A	LS05-0086	MPE	2005/10/14
B	LS06-0095	LGO	2006/06/26
-	-	-	-
-	-	-	-
-	-	-	-
-	-	-	-



Copyright FCI.



Pull Parts		
PART NUMBER	8655MH1501LF	PACKAGING: per 80 pieces

NOTE: RoHS INFORMATIONS

- The "LF" product meets European union Directives and other country regulations as described in G5-22-008.
- The product is not intended to be exposed to a manufacturing solder process.
- Packaging spec: see G5-14-920.

rev	ecn no	dr	date
A	LS05-0086	MPE	2005/10/14
B	LS06-0095	LGO	2006/06/26
-	-	-	-
-	-	-	-
-	-	-	-
-	-	-	-

www.fciconnect.com		surface ISO 1302 ✓	tolerance std ISO 406 ISO 1101	projection mm
TOLERANCES UNLESS OTHERWISE SPECIFIED		ANGULAR	LINEAR	size A3
Dr	JARRY	2005/10/14	0.X	±0.1
Eng	PESSON	2005/10/14	0.XX	±0.1
Chr	LEGARE	2005/10/14	0.XXX	±0.1
Appr	LEGARE	2005/10/14	Product family	D-SUB
FCI title SHIELDED HOODS - TWO PARTS HOODS (Shell size 15)		cat no		Rev. B
C01-8655-1597-2		CUSTOMER		sheet 1 of 1

REV F - 2006-04-17